

Product information presented here reflects conditions at time of publication. Consult factory regarding discrepancies or inconsistencies.



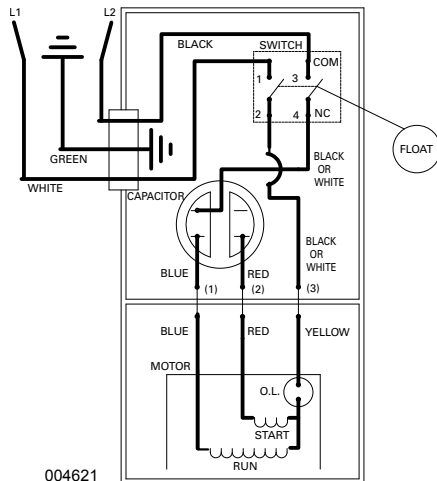
MAIL TO: P.O. BOX 16347 • Louisville, KY 40256-0347
SHIP TO: 3649 Cane Run Road • Louisville, KY 40211-1961
TEL: (502) 778-2731 • 1 (800) 928-PUMP • FAX: (502) 774-3624

Visit our web site:
zoellerpumps.com

REPLACEMENT PARTS LIST FOR MODELS:

PERMANENT SPLIT CAPACITOR MOTOR
DESIGN
SPLIT PHASE MOTOR DESIGN

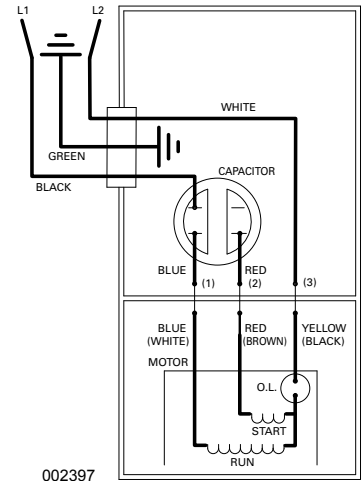
M267 AUTOMATIC 115V
N267 NONAUTOMATIC 115V



004621
WIRING DIAGRAM FOR MODELS
"M267-G"
05/18 thru Current

TO ORDER REPLACEMENT PARTS
PLEASE FURNISH THE FOLLOWING INFORMATION:

- Model number
- Part number of pump
- Part number and description of part

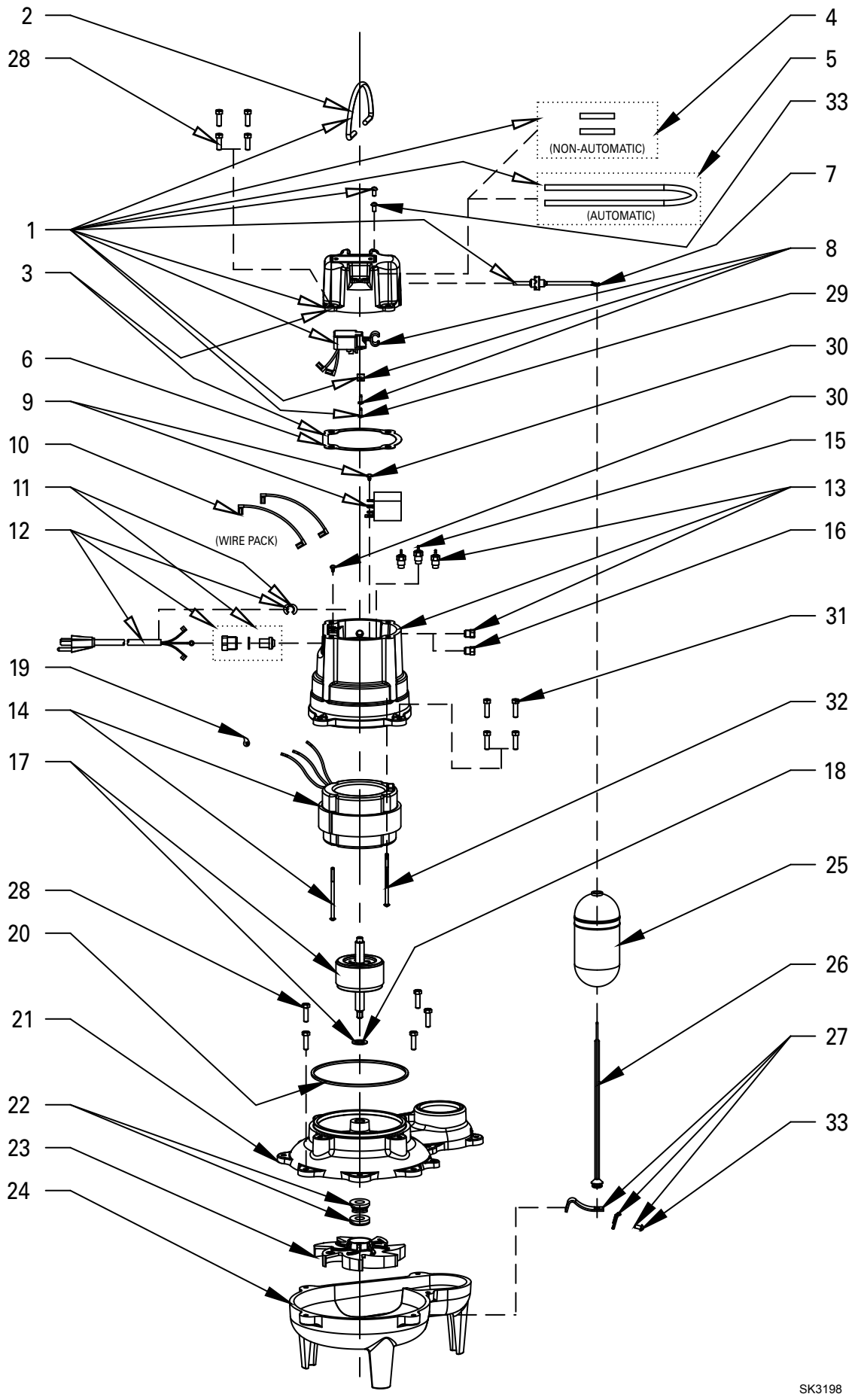


002397
WIRING DIAGRAM FOR MODELS
"N267-G"
05/18 thru Current

REF NO.	QTY	Kit	DESCRIPTION	NOTES	M267-G 05/18 thru CURRENT.	N267-G 05/18 thru CURRENT.
1	1		Case assembly - Automatic		004739	N/A
	1		Cover assembly - Non-Automatic		N/A	267051
2	1	*	Handle		267032	267032
3	1		Case Mach. & Gasket - Automatic		155781	N/A
	1		Cover Mach. & Gasket - Non-Automatic		N/A	267052
4	2	*	Retainer - Non-Automatic		N/A	267053
5	1	*	Guard - Automatic		267008	N/A
6	1	*	Gasket - Case/Cover		267007	267007
7	1	*	Arm and Seal assembly		004741	N/A
8	1		Switch Assembly		004740	N/A
9	1		Capacitor assembly		155782	155782
10	1	*	Wire package		155783	155783
11	1	*	Cord seal and strain relief assembly	4	155784	155784
12	1		Cord assembly - Automatic		010925	N/A
	1		Cord assembly - Non-Auto		N/A	155785
13	1		Motor Housing assembly		155786	155786
14	1		Stator with screws		155787	155787
15	3	*	Thru wall terminals		003402	003402
16	2	*	Test plugs		034090	034090
17	1		Rotor assembly		155788	155788
18	1	*	Thrust washer		002140	002140
19	1	*	Dielectric oil		267056	267056
20	1	*	Motor housing seal		267006	267006
21	1		Pump housing - Mach.		003877	003877
22	1	*	Shaft seal Assembly		267027	267027
23	1		Impeller - Plastic		150857	150857
	1		Impeller - Cast Iron		003884	003884
24	1		Base		008646	008646
25	1		Float		034019	N/A
26	1		Float rod		001526	N/A
27	1		Float rod guide assembly		004676	N/A
28	9	*	Screw - Case & Base (1/4-20 x 3/4" long)		001916	001916
29	2	*	Screw - Switch (#6-32 x 7/16" long)		004644	N/A
30	1	*	Screw - Ground & Capacitor (#6-32 x 1/4" long)		001877	001877
31	4	*	Screw - Motor housing (1/4-20 x 7/8" long)		012491	012491
32	2	*	Screw - Stator (#8-32 x 3 1/16" long)		154768	154768
33	3	*	Screw - Guard & retainers/Guide (#10-24 x 3/8" long)		001883	001883
*	1		Rebuild Kit		155789	155789

Service part notes:

- 1) If an "X" follows model no., or date mfg. on brass ID tag, consult factory for ordering any parts.
- 2) See FM0160 Parts Price Sheet for listing of parts prices.
- 3) "NA" indicates, not applicable.
- 4) Strain relief clamp is not sold separately, must order cord seal assembly.



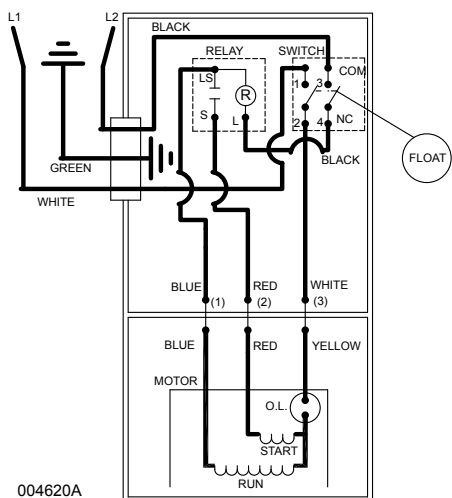
SK3198

REPLACEMENT PARTS LIST FOR MODELS:

SPLIT PHASE MOTOR DESIGN

M267 AUTOMATIC 115V
D267 AUTOMATIC 230V
N267 NONAUTOMATIC 115V
E267 NONAUTOMATIC 230V
**WM267 AUTOMATIC w/wired
float switch 115V**

H267 AUTOMATIC 200V/1PH
I267 NONAUTOMATIC 200V/1PH
J267 NONAUTOMATIC 200V/3PH
F267 NONAUTOMATIC 230V/3PH
G267 NONAUTOMATIC 460V/3PH

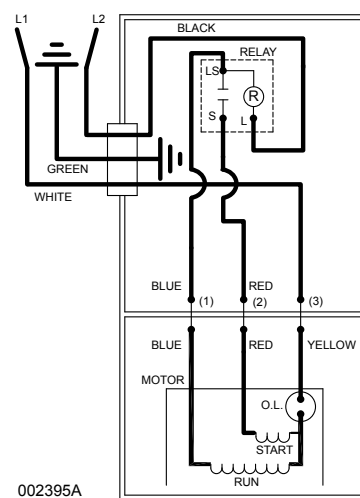


004620A

WIRING DIAGRAM FOR MODELS
 "M267-F", "D267-F",
 and "H267-F"
 10/92 thru 04/18

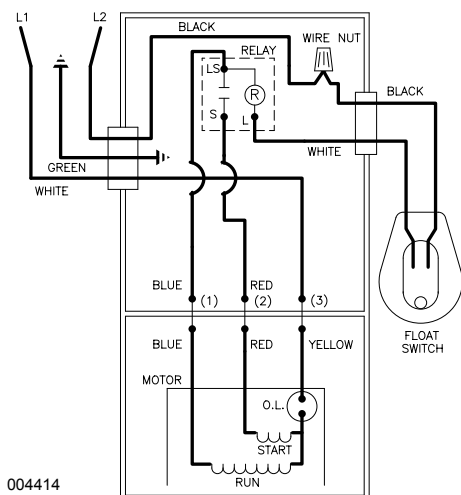
TO ORDER REPLACEMENT PARTS
 PLEASE FURNISH THE FOLLOWING INFORMATION:

- Model number
- Part number of pump
- Part number and description of part



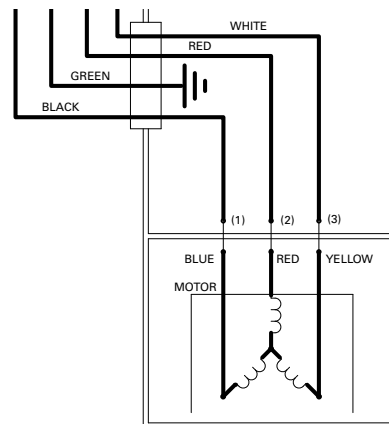
002395A

WIRING DIAGRAM FOR MODELS
 "M267-F", "E267-F",
 and "I267-F"
 10/92 thru 04/18



004414

WIRING DIAGRAM FOR MODELS
 "WM267-C", "WM267-D"
 10/92 thru 02/08



006848

WIRING DIAGRAM FOR MODELS
 "J267-F", "F267-F" and "G267-F"
 10/92 thru Current

REPLACEMENT PARTS LIST FOR MODELS "M267", "D267" & "H267"

See page 7 for illustration.

REF. NO.	DESCRIPTION	QTY	NOTES	MODELS:		
				M267-F	D267-F	H267-F
				10/92 thru 04/18	10/92 thru Current	10/92 thru Current
1	Case & Switch Asm	1	3	004739	004739	004739
2	• Handle	1		267032	267032	267032
3	Case Mach.	1	3	004610	004610	004610
4	• Gasket,Case/Cover	1		267007	267007	267007
5	Relay Asm.	1		002474	147135	001536
6	• Wire Package (2 wires)	1		267014	267014	267014
7	Housing, Motor & Stator (Regal-Beloit)	1	1,2	002475	002476	003871
	Housing, Motor & Stator (Emerson)			014797	008642	N/A
8	Cord Terminal & Seal Asm.	1	4	094071	094072	006930
9	• Seal, Cord-Asm. & Strain Relief	1	4	094032	094032	011626
10	• Guard	1		267008	267008	267008
11	• Arm & Seal Asm.	1	3	004741	004741	004741
12	Switch Asm.	1	3	004740	004740	004740
13	Float	1		034019	034019	034019
14	Rod, Float	1		001526	001526	001526
15	Rotor Asm. (Regal-Beloit)	1	2	267005	267005	267005
	Rotor Asm. (Emerson)			004021	004021	N/A
16	• Seal, Motor Housing	1		267006	267006	267006
17	Washer, Thrust	1		002140	002140	002140
18	Housing,Pump-Mach.	1		003877	003877	003877
19	• Seal,Shaft-Asm.	1		267027	267027	267027
20	Impeller-Plastic	1		150857	150857	150857
	Impeller-Cast Iron		003884	003884	003884	
21	Base-Mach.	1		008646	008646	008646
22	Guide,Float Rod - Asm.	1		004676	004676	004676
23	• Oil,Dielectric	1		267056	267056	267056
24	• Seal,Thru Wall Terminal	3		003402	003402	003402
25	• Plug,Test-White	2		034090	034090	034090
26	• Screw 1/4-20 x 3/4 long - HH mach - SS	9		001916	001916	001916
27	• Screw #10-24 x 3/8 long - Round Head - SS	3		001883	001883	001883
28	• Screw #6-32 x 7/16 long	2		004644	004644	004644
29	• Screw #6-32 x 1/4 long	3		001877	001877	001877
30	• Screw 1/4-20 x 7/8 long - HH mach - SS	4		012491	012491	012491
□	Rebuild Kit	1		004743	004743	004743

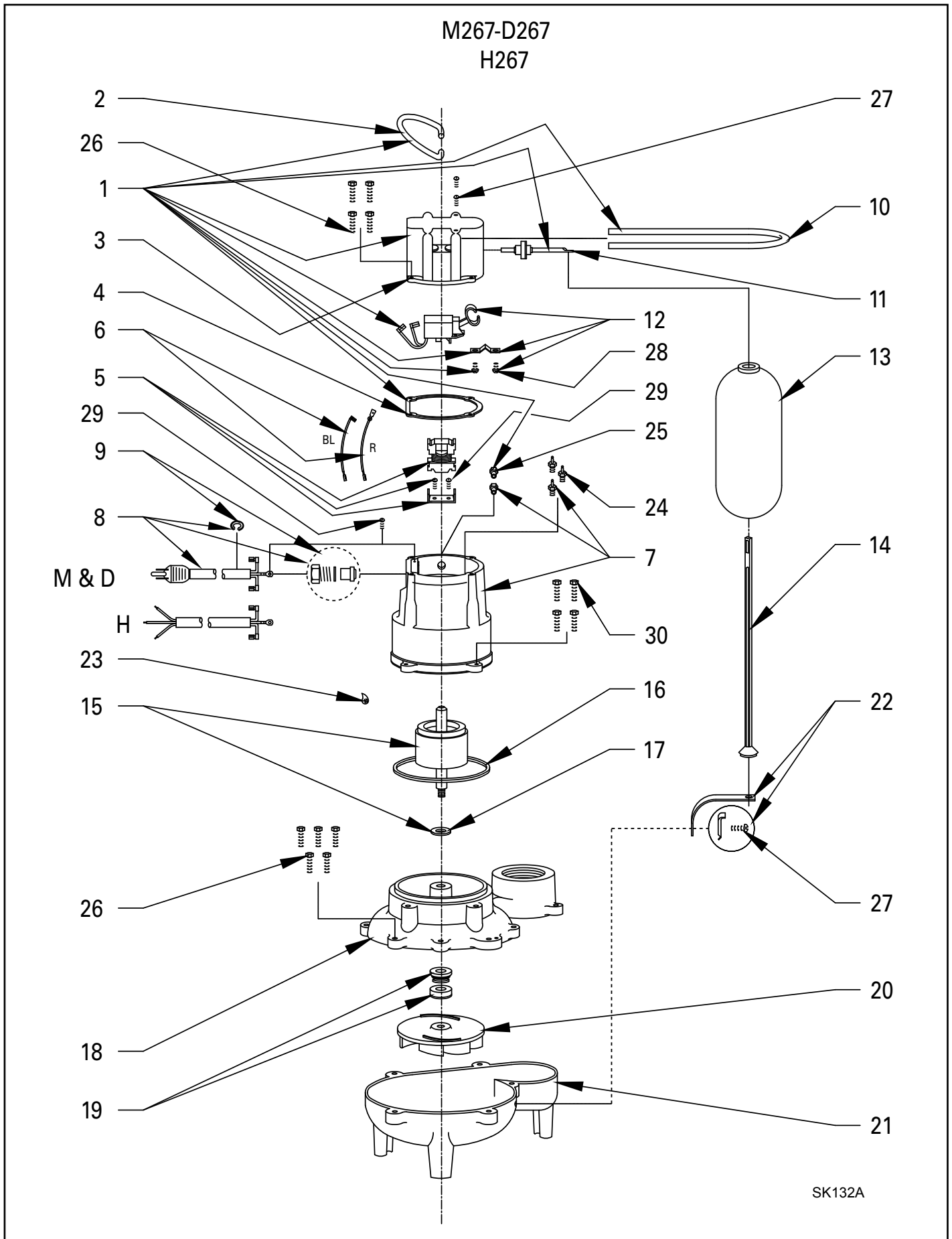
• Items included in Rebuild Kit.

□ Not shown in illustration.

NOTES:

- 1) Motor housing, bearing, stator & terminal are preassembled at the factory and must be replaced as a unit. Stator is permanently attached to the motor housing. White test plug, seal and thru wall terminals are replaceable.
- 2) When ordering motor housing, bearing, stator and terminal or rotor specify either GE or Emerson motor. GE motor can be identified by (4) half oval slots spaced at 90° around the outside diameter of the stator. Emerson motor can be identified by (2) half oval slots spaced at 180° around the outside diameter of the stator.
- 3) When ordering these parts, customer must identify if switch is a General Electric switch.
- 4) If an "X" follows model no., or date mfg. on brass ID tag, consult factory for ordering any parts.
- 5) See FM0160 parts price sheet for listing of parts prices.
- 6) "NA" indicates, not applicable.
- 7) Clamp, strain relief is not sold separately, must order seal, cord asm (Item 9).

REPLACEMENT PARTS ILLUSTRATION FOR MODELS "M267", "D267" & "H267"



REPLACEMENT PARTS LIST FOR MODELS "N267", "E267", "I267", "J267", "F267" & "G267"

See page 9 for illustration.

REF. NO.	DESCRIPTION	QTY	NOTES	MODELS:					
				N267-F	E267-F	I267-F	J267-E	F267-E	G267-F
				10/92 thru 04/18	10/92 thru Current	10/92 thru Current	10/92 thru Current	10/92 thru Current	10/92 thru Current
1	Cover & Handle Asm	1		267051	267051	267051	267051	267051	267051
2	• Handle	1		267032	267032	267032	267032	267032	267032
3	Cover & Gasket/Non-Auto	1		267052	267052	267052	267052	267052	267052
4	Retainer,Handle/Non-Auto	1		267053	267053	267053	267053	267053	267053
5	• Gasket,Case/Cover	1		267007	267007	267007	267007	267007	267007
6	Relay Asm.	1		002474	147135	001536	N/A	N/A	N/A
7	• Wire Package (2 wires)	1		267014	267014	267014	N/A	N/A	N/A
8	Housing, Motor & Stator (Regal-Beloit)	1	1,2	002475	002476	003781	009511	004966	009510
	Housing, Motor & Stator (Emerson)			014797	008642	N/A	N/A	N/A	N/A
9	Cord Term&Seal Asm	1	3	153878	153879	007071	003761	003761	003761
10	• Seal, Cord-Asm. & Strain Relief	1	3	094032	094032	094032	094032	094032	094032
11	Rotor Asm. (Regal-Beloit)	1	2	267005	267005	267005	009506	009506	009506
	Rotor Asm. (Emerson)			004021	004021	N/A	N/A	N/A	N/A
12	• Seal, Motor Housing	1		267006	267006	267006	267006	267006	267006
13	• Washer, Thrust	1		002140	002140	002140	002140	002140	002140
14	Housing,Pump-Mach.	1		003877	003877	003877	003877	003877	003877
15	• Oil,Dielectric	1		267056	267056	267056	267056	267056	267056
16	• Seal,Shaft-Asm.	1		267027	267027	267027	267027	267027	267027
17	Impeller-Plastic	1		150857	150857	150857	N/A	N/A	N/A
	Impeller-Cast Iron		003884	003884	003884	009884	009884	009884	
18	Base-Mach.	1		008646	008646	008646	008646	008646	008646
19	• Seal,Thru Wall Terminal	3		003402	003402	003402	003402	003402	003402
20	• Plug,Test-White	2		034090	034090	034090	034090	034090	034090
21	Nut,5/16-24Unf SS Acorn/Low Crown	1		N/A	N/A	N/A	004348	004348	004348
22	• Screw 1/4-20 x 3/4 long - HH mach - SS	9		001916	001916	001916	001916	001916	001916
23	• Screw #10-24 x 3/8 long - Round Head - SS	3		001883	001883	001883	001883	001883	001883
24	• Screw #6-32 x 1/4 long	3		001877	001877	001877	001877	001877	001877
25	• Screw 1/4-20 x 7/8 long - HH mach - SS	4		012491	012491	012491	012491	012491	012491
▫	Rebuild Kit	1		004743	004743	004743	004743	004743	004743

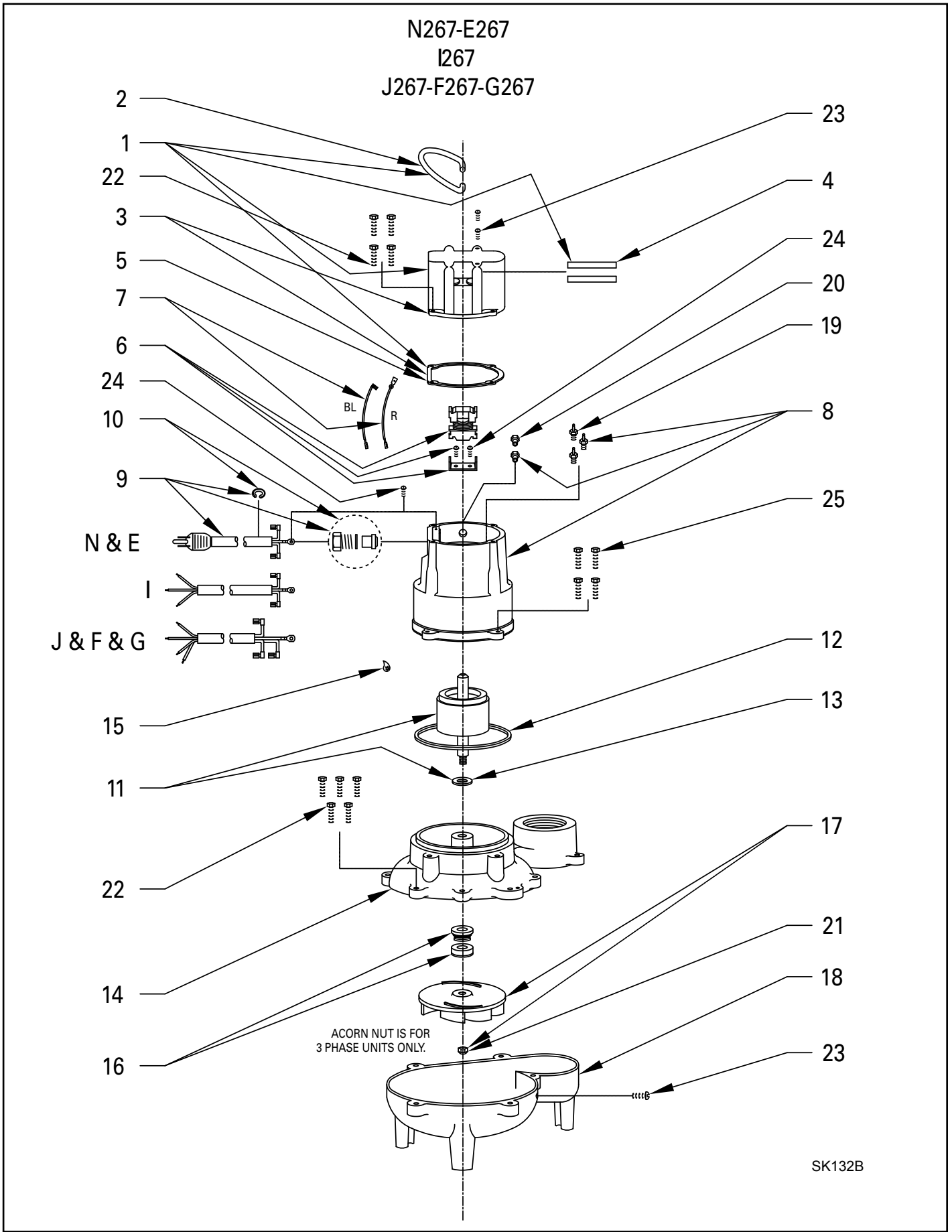
• Items included in Rebuild Kit.

▫ Not shown in illustration.

NOTES:

- 1) Motor housing, bearing, stator & terminal are preassembled at the factory and must be replaced as a unit. Stator is permanently attached to the motor housing. White test plug, seal and thru wall terminals are replaceable.
- 2) When ordering motor housing, bearing, stator and terminal or rotor specify either GE or Emerson motor. GE motor can be identified by (4) half oval slots spaced at 90° around the outside diameter of the stator. Emerson motor can be identified by (2) half oval slots spaced at 180° around the outside diameter of the stator.
- 3) If an "X" follows model no., or date mfg. on brass ID tag, consult factory for ordering any parts.
- 4) See FM0160 parts price sheet for listing of parts prices.
- 5) "NA" indicates, not applicable.
- 6) Clamp, strain relief is not sold separately, must order seal, cord asm (Item 10).

**REPLACEMENT PARTS ILLUSTRATION FOR MODELS
"N267", "E267", "I267", "J267", "F267" & "G267"**



REPLACEMENT PARTS LIST FOR MODEL "WM267"

See page 11 for "WM267" illustration.

REF. NO.	DESCRIPTION	QTY	NOTES	MODELS:	
				WM267-C	WM267-D
				10/92 thru 9/94	10/94 thru Current
1	Cover & Handle Asm	1		267051	267051
2	• Handle	1		267032	267032
3	Cover & Gasket/Non-Auto	1		267052	267052
4	Retainer,Handle/Non-Auto	1		267053	267053
5	• Gasket,Case/Cover	1		267007	267007
6	• Relay Asm.	1		002474	002474
7	• Wire Package (2 wires)	1		267014	267014
8	Housing, Motor & Stator (Regal-Beloit)	1	1,2	004672	004672
	Housing, Motor & Stator (Emerson)			015451	015451
9	Cord Terminal & Seal Asm.	1	3	006090	006090
10	• Seal, Cord-Asm. & Strain Relief	1	3	094032	094032
11	Rotor Asm. (Regal-Beloit)	1	2	267005	267005
	Rotor Asm. (Emerson)			004021	004021
12	• Seal, Motor Housing	1		267006	267006
13	• Washer, Thrust	1		002140	002140
14	Housing,Pump-Mach.	1		004404	003877
15	• Oil,Dielectric	1		267056	267056
16	• Seal,Shaft-Asm.	1		267027	267027
17	Impeller-Plastic	1		N/A	150857
	Impeller-Cast Iron		003884	003884	
18	Base-Mach.	1		008646	008646
19	• Seal,Thru Wall Terminal	3		003402	003402
20	• Plug,Test-White	2		034090	034090
21	Switch,Vert Float-Asm "WM267" W/ Float & Brkt	1		004485	009631
22	Seal,Cord-Asm "WM267 PF & QJ"	1		004486	004486
23	Connector, Wirenut	1		001776	001776
24	Clamp,Cable-Nylon	1		004413	N/A
25	• Screw 1/4-20 x 3/4 long - HH mach - SS	9		001916	001916
26	• Screw #10-24 x 3/8 long - Round Head - SS	3		001883	001883
27	• Screw #6-32 x 1/4 long	3		001877	001877
28	• Screw 1/4-20 x 7/8 long - HH mach - SS	4		012491	012491
29	Switch,Vert Float-Asm "WM267" W/ Float & Brkt	1		009630	009630
30	Float Rod Retaining Pin	1		N/A	009121
31	Rod, Float	1		N/A	009118
32	Float Rod stop	2		N/A	009120
33	Float	1		N/A	009119
34	Bracket, Switch Mtg.	1		N/A	009117
35	Grommet, Guide	1		N/A	003052
36	Screw,#8-32 X .625" Ph R.H. Type F-410 S.S.	2		N/A	009111
37	Clamp,#40Hs Worm-SS	1		N/A	004304
*	Rebuild Kit	1		004743	004743

* Items included in Rebuild Kit.

▣ Not shown in illustration.

NOTES:

- 1) Motor housing, bearing, stator & terminal are preassembled at the factory and must be replaced as a unit. Stator is permanently attached to the motor housing. White test plug, seal and thru wall terminals are replaceable.
- 2) When ordering motor housing, bearing, stator and terminal or rotor specify either GE or Emerson motor. GE motor can be identified by (4) half oval slots spaced at 90° around the outside diameter of the stator. Emerson motor can be identified by (2) half oval slots spaced at 180° around the outside diameter of the stator.
- 3) If an "X" follows model no., or date mfg. on brass ID tag, consult factory for ordering any parts.
- 4) See FM0160 parts price sheet for listing of parts prices.
- 5) "NA" indicates, not applicable.
- 6) Clamp, strain relief is not sold separately, must order Seal, cord asm (Item 10).

REPLACEMENT PARTS ILLUSTRATION FOR MODEL "WM267"

